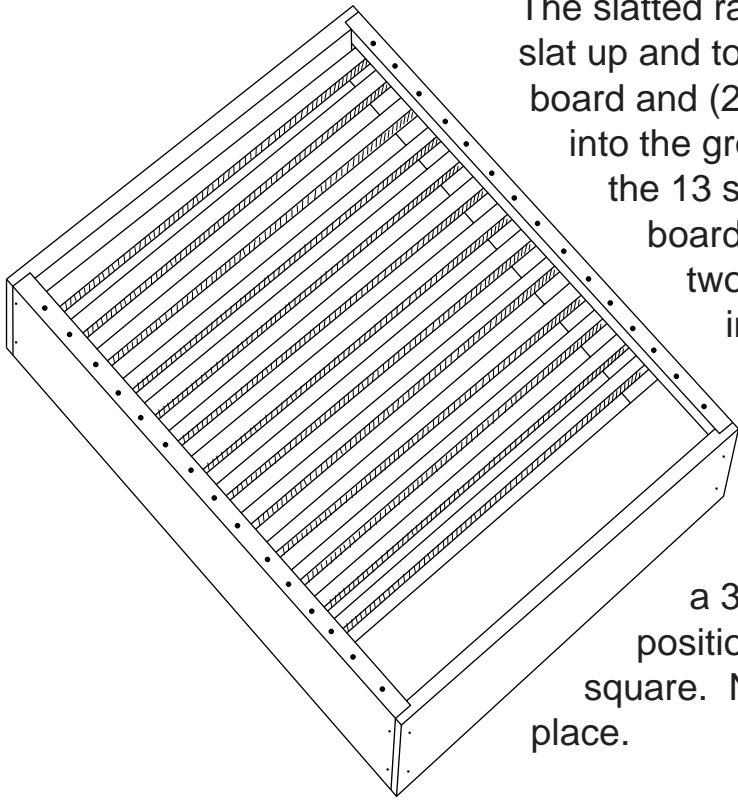


SLATTED BOTTOM RACK

FOR LANGSTROTH BEE HIVE



The slatted rack sits on the bottom board with the wide slat up and to the front of the hive. Nail and glue (1) end board and (2) side boards together. Place the wide slat into the groove and slide it into the end board. Slide the 13 slats into place down the groove in the side boards. Nail and glue the 2nd end board to the two side boards. At this point, all the slats are in the groove and need to be spaced. Using a wooden spacer that's 3/8" thick, start at the wide slat (making sure it's seated in the groove of the end board) and slide the spacers between it and all the small slats to get them evenly spaced. Once you have a 3/8" gap between all the slats, mark their position with a pencil. Make sure the rack is square. Nail all the slats with 1-1/4" nails to hold in place.

